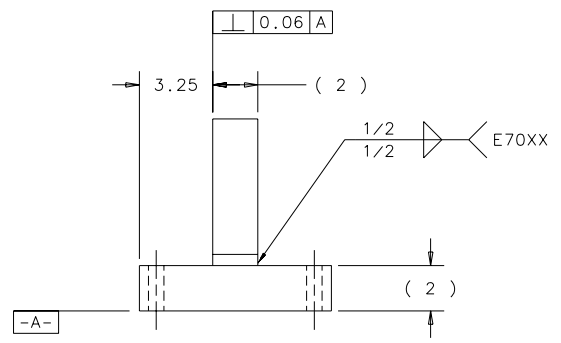
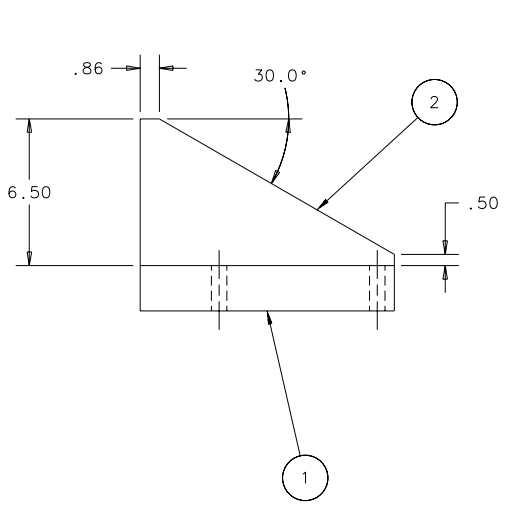
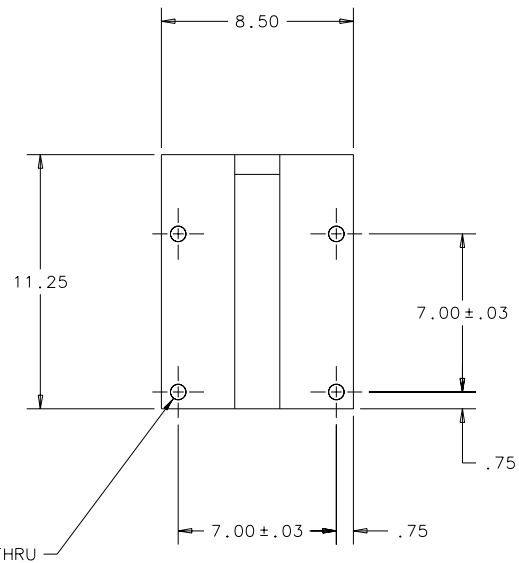


| REV | DESCRIPTION | DRAWN    | DATE |
|-----|-------------|----------|------|
|     |             | APPROVED | DATE |



| ITEM | PART NO. | DESCRIPTION OR SIZE             | QTY. |
|------|----------|---------------------------------|------|
| 2    | COML     | 2" THICK H.R.CARBON STEEL PLATE | 1    |
| 1    | COML     | 2" THICK H.R.CARBON STEEL PLATE | 1    |

| PARTS LIST                                   |            |                      |             |
|--|------------|----------------------|-------------|
| UNLESS OTHERWISE SPECIFIED                   | ORIGINATOR | I. FANG              | 22-MAY-2002 |
| .XX  | DRAWN      | G. SMITH             | 22-MAY-2002 |
| ± .06  | CHECKED    | J. KILMER            | 12-JUN-2002 |
| 1. BREAK ALL SHARP EDGES<br>.015 MAX.        | APPROVED   | I. FANG              | 12-JUN-2002 |
| 2. DO NOT SCALE DRAWING.                     | USED ON    | ME-421008            |             |
| 3. DIMENSIONS BASED UPON<br>ANSI Y14.5M-1982 | MATERIAL   | SEE PARTS LIST ABOVE |             |
| 4. ALL DIMENSIONS ARE INCHES                 |            |                      |             |
| 5. MAX. ALL MACH. SURFACES<br>250            |            |                      |             |

**FERMI NATIONAL ACCELERATOR LABORATORY**  
UNITED STATES DEPARTMENT OF ENERGY

PPD/MECHANICAL DEPARTMENT  
E907 CKOV/CHAMBER #2 STAND  
SUPPORT CART-CASTER MOUNT BRKT

|       |                    |        |     |
|-------|--------------------|--------|-----|
| SCALE | DRAWING NUMBER     | SHEET  | REV |
| 1:4   | 3907.500-MC-421012 | 1 OF 1 |     |

CREATED WITH : Ideas8m4 GROUP: PPD/MECHANICAL DEPARTMENT