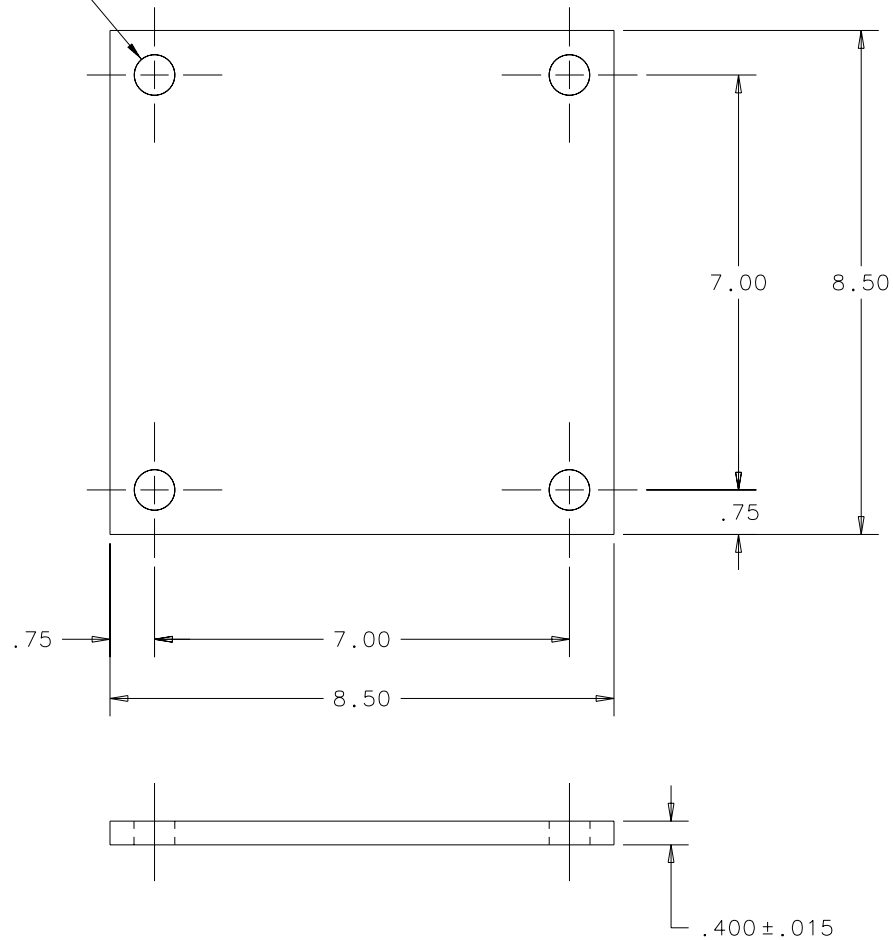


REV	DESCRIPTION	DRAWN	DATE
		APPROVED	DATE

4X 11/16 DRILL THRU



ITEM	PART NO.	DESCRIPTION OR SIZE	QTY.
PARTS LIST			
UNLESS OTHERWISE SPECIFIED		ORIGINATOR	I, FANG
.XX		DRAWN	G. SMITH
± .03		CHECKED	J. KILMER
± .03		APPROVED	I, FANG
1. BREAK ALL SHARP EDGES 0.15 MAX.		USED ON	
2. DO NOT SCALE DRAWING.		MD-421008	
3. DIMENSIONS BASED UPON ANSI Y14.5M-1982		MATERIAL	
4. ALL DIMENSIONS ARE INCHES		A36 H.R. STEEL PLATE -1/2"	
5. MAX. ALL MACH. SURFACES 250			

FERMI NATIONAL ACCELERATOR LABORATORY
UNITED STATES DEPARTMENT OF ENERGY

PPD/MECHANICAL DEPARTMENT
E907 CKOV/CHAMBER #2 STAND
SUPPORT CART-CASTER SHIM

SCALE	DRAWING NUMBER	SHEET	REV
1:2	3907.500-MB-421017	1 OF 1	

CREATED WITH : IdeasBm4 GROUP: PPD/MECHANICAL DEPARTMENT