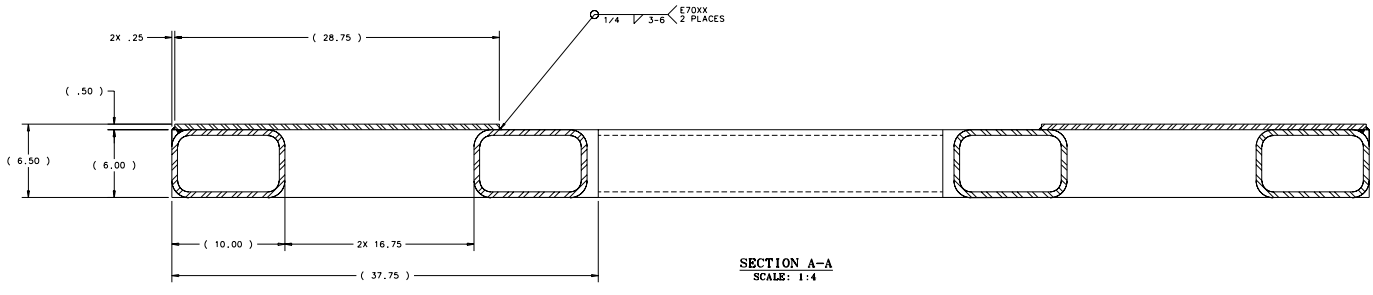
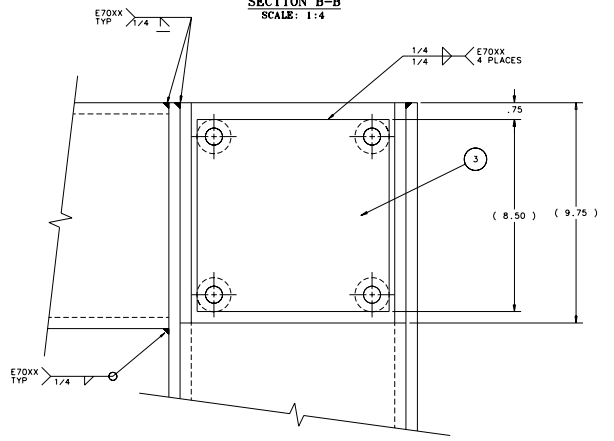
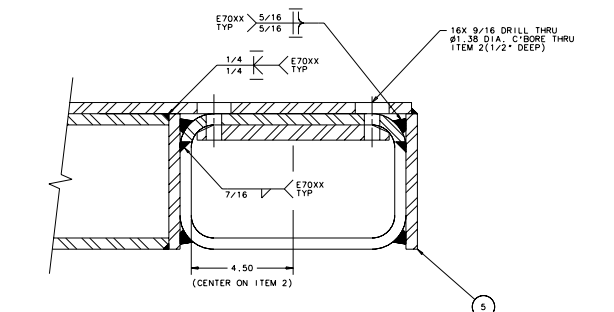
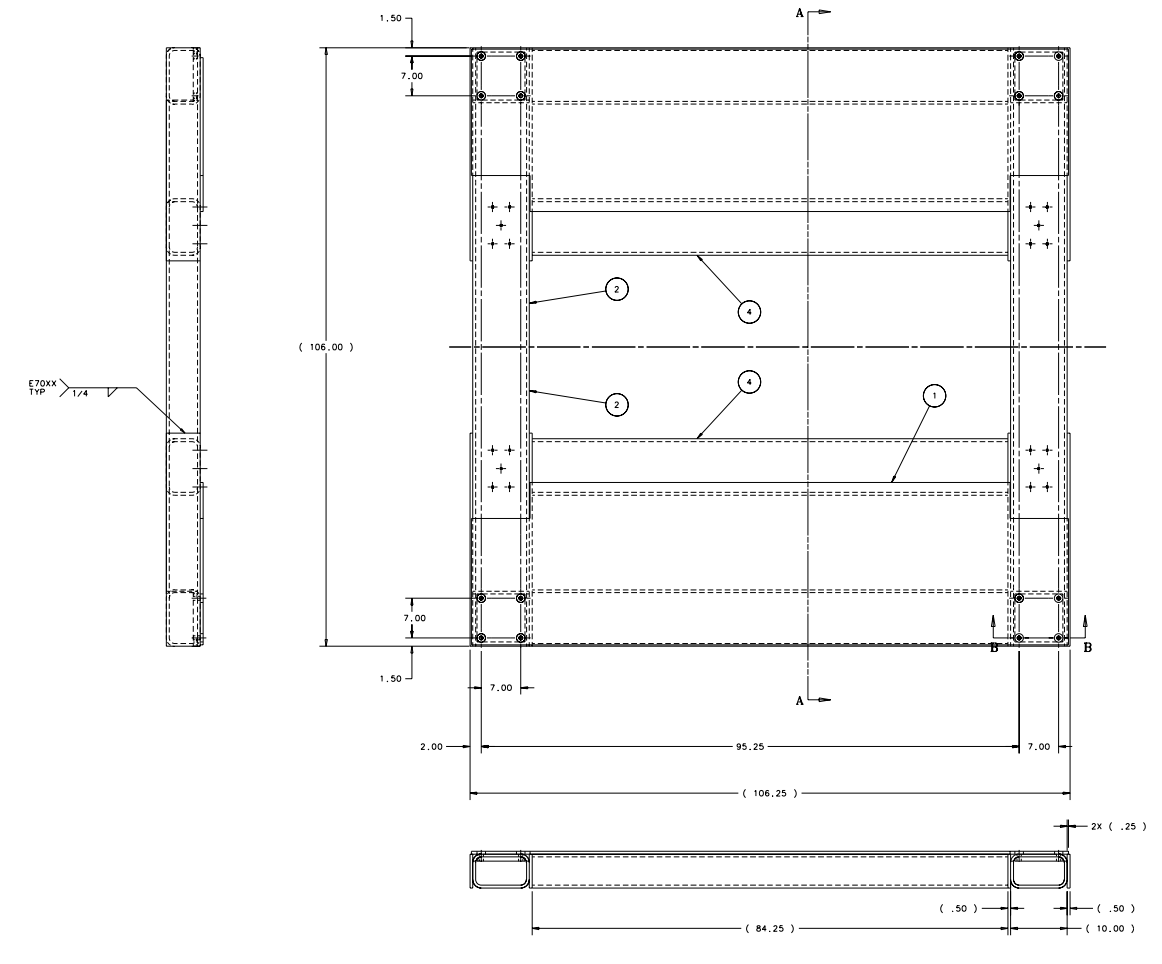


REV	DESCRIPTION	DRAWN	DATE
		APPROVED	



ITEM	PART NO.	DESCRIPTION OR SIZE	QTY.
5	COML	STEEL PLATE-ASTM A36 1/2 X 6.00 X 37.75	8
4	COML	RECTANGULAR STRUCTURAL STEEL TUBING 10 X 6 X .500 WALL 9 84.25 LG. ASTM A 500 GRADE B	2
3	MC-397772	CASTER MOUNT	1
2	MC-397774	MOUNTING TUBE	1
1	MC-397771	TOP PLATE	1

PARTS LIST			
UNLESS OTHERWISE SPECIFIED	ORIGINATOR	I. FANG	01-APR-2002
.XX	XX	XX	XX
2	OR	2	CHECKED
1	APPROVED		
1. BREAK ALL SHARP EDGES	USED ON		
2. DO NOT SCALE DIMENSIONS			
3. DIMENSIONS ARE TO CENTER UNLESS NOTED OTHERWISE			
4. ALL DIMENSIONS ARE IN INCHES	MATERIAL		
5. ALL DIMENSIONS ARE TO SURF UNLESS NOTED OTHERWISE	SEE PARTS LIST ABOVE		

FERMI NATIONAL ACCELERATOR LABORATORY UNITED STATES DEPARTMENT OF ENERGY PPD/MECHANICAL DEPARTMENT E907 M-CENTER BEAMLINE CALORIMETER STAND WELDMENT			
SCALE	DRAWING NUMBER	SHEET	REV
1:4	3907.500-ME-397770	1 OF 1	
CREATED WITH:	GROUP:	PPD/MECHANICAL DEPARTMENT	