

8

7

6

5

4

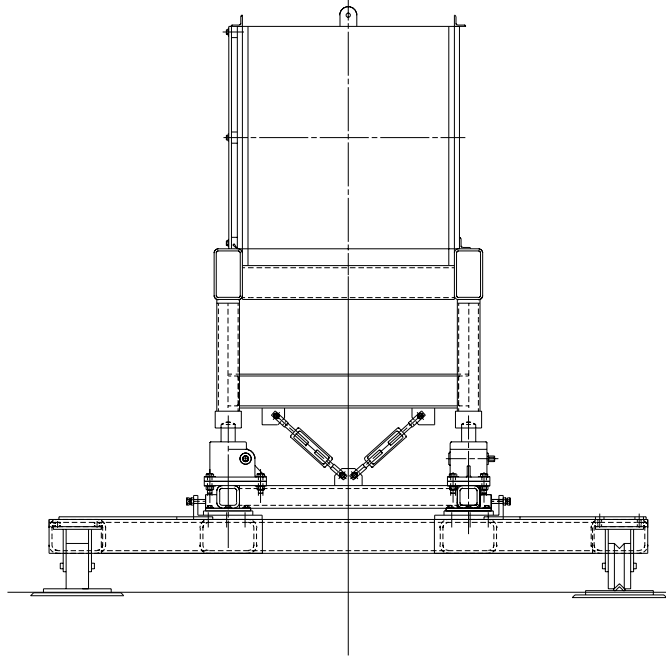
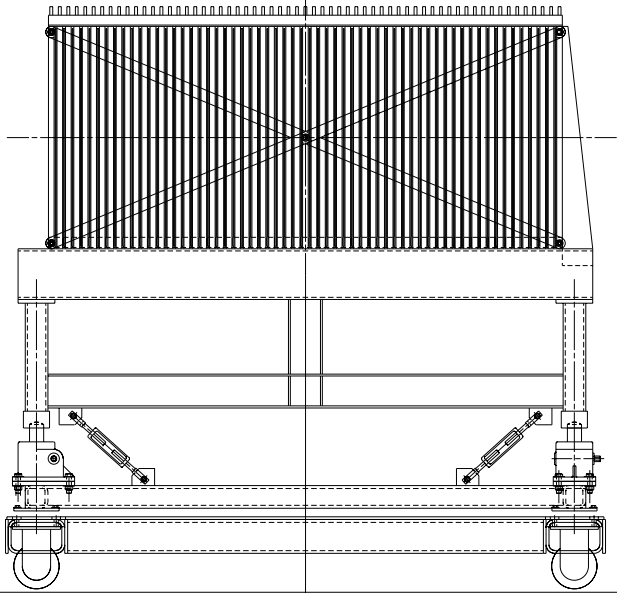
3

2

1

REV	DESCRIPTION	DRAWN	DATE
		APPROVED	DATE

H  
G  
F  
E  
D  
C  
B  
A



ITEM	PART NO.	DESCRIPTION OR SIZE	QTY.
PARTS LIST			
UNLESS OTHERWISE SPECIFIED		ORIGINATOR	DATE
.XX	.XX	ANGLES	DRAWN
2	2	2"	2"
		CHECKED	
		APPROVED	
1. BREAK ALL SHARP EDGES		USED ON	
2. DO NOT SCALE DRAWING		9200.001-ME-397568	
3. DIMENSIONS PRECEDE		MATERIAL	
4. ALL DIMENSIONS ARE IN INCHES			
5. UNLESS NOTED OTHERWISE			
12			
<b>FERMI NATIONAL ACCELERATOR LABORATORY</b> UNITED STATES DEPARTMENT OF ENERGY PPD/MECHANICAL DEPARTMENT E907 M-CENTER BEAMLINE CALORIMETER ASSEMBLY			
SCALE	DRAWING NUMBER	SHEET	REV
1" = 8"	3907.500-ME-397777	1 OF 1	
CREATED WITH	GROUP	PPD/MECHANICAL DEPARTMENT	

6

5

4

3

2

1